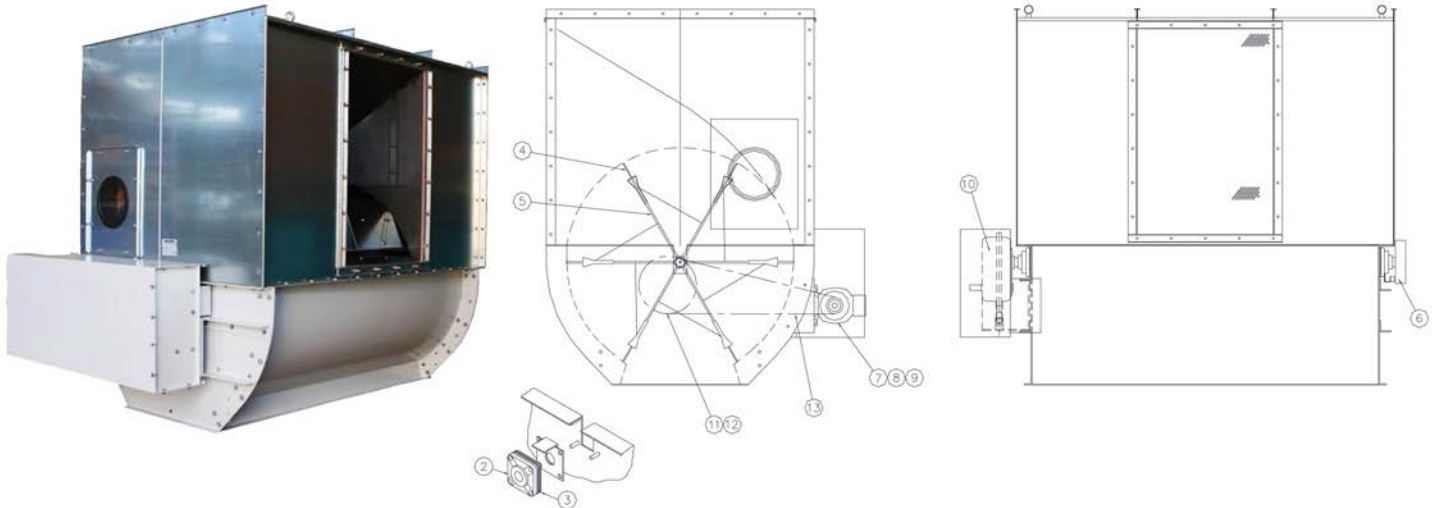


SEPARATOR - DANSEP 15



SEPARATOR - DANSEP 15

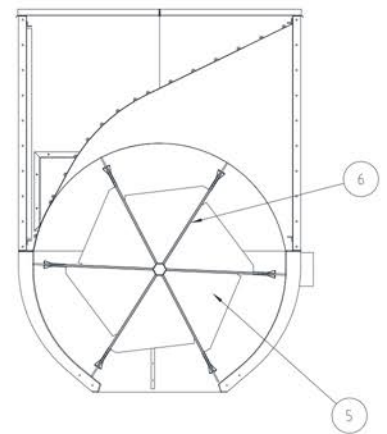
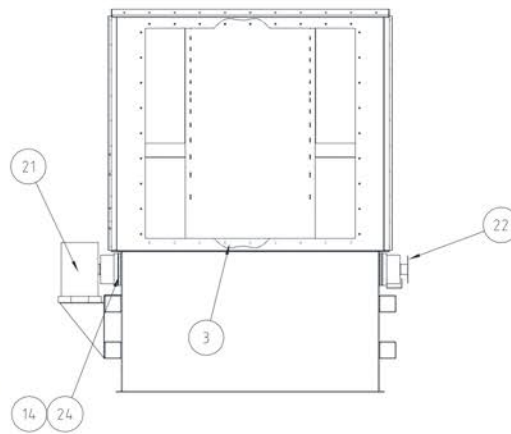
Technical data

| | | | |
|---------------------|--------------------|------------------------------------|--|
| Net weight : | 700 kg | Capacity at 100% filling (50Hz) : | 1.000 m ³ /h |
| Voltage : | 3 x 220 - 480V | Maximum air volume : | 35.000 m ³ /h ; 9,7 m ³ /s |
| Frequency : | 50 / 60 Hz | Pressure drop at max. air volume : | 500 Pa |
| Motor size : | 2,2 kW | Max. negative pressure : | 3.500 Pa |
| Motor revolutions : | 1.450 rpm at 50 Hz | Recommended speed at injection : | > 15 m/s |
| Gearing : | 1:33 | Recommended speed at outlet : | > 7,5 m/s |
| Rotor revolutions : | 15,0 rpm | | |

Spare parts

| Pos. | Item no. | Description |
|------|------------|---|
| | | Rotor |
| 1 | 80132-0110 | Rotor, complete |
| 2 | 85282-0018 | Flange bearing - UCF 208, ϕ 40 mm |
| 3 | 80105-0095 | Felt ring for air-tightness |
| 4 | 80132-0097 | Rubber blades, horizontal |
| 5 | 80132-0096 | Rubber blades, vertical |
| 6 | 85500-0009 | Magnet switch for velocity control |
| | | Drive set |
| 7 | 85272-0008 | Motor 2,2 kW 4-poles B3 |
| 8 | 85176-0020 | Pulley, motor side - SPA 80/3 |
| 9 | 85177-0008 | Taper lock for pulley - 1210 - diam. 28 |
| 10 | 85277-0008 | Bonfiglioli gear - TA 40.40 D, 1:33 |
| 11 | 85176-0021 | Pulley, gear side - SPA 224/3 |
| 12 | 85177-0015 | Taper lock for pulley - 2517- diam. 24 |
| 13 | 85175-0003 | V-belt - XPA 1950 CRE |

SEPARATOR - DANSEP 15-15



SEPARATOR - DANSEP 15-15

Technical data

| | | | |
|---------------------|--------------------|------------------------------------|---|
| Net weight : | 1.500 kg | Capacity at 100% filling (50Hz) : | 1.400 m ³ /h |
| Voltage : | 3 x 220 - 480V | Maximum air volume : | 50.000 m ³ /h ; 13,9 m ³ /s |
| Frequency : | 50 / 60 Hz | Pressure drop at max. air volume : | 500 Pa |
| Motor size : | 3,0 kW | Max. negative pressure : | 3.500 Pa |
| Motor revolutions : | 1.450 rpm at 50 Hz | Recommended speed at injection : | > 15 m/s |
| Gearing : | 1:160 | Recommended speed at outlet : | > 7,5 m/s |
| Rotor revolutions : | 9,1 rpm | | |

Spare parts

| Pos. | Item no. | Description |
|------|------------|---|
| | | Rotor |
| 5 | 80132-0510 | Rotor, complete |
| 14 | 85282-0039 | Flange bearing SKF -722515B+1215K + bushing ø65 |
| 24 | 80132-0535 | Felt ring for air-tightness |
| 6 | 80132-0515 | Rubber blades, horizontal |
| 3 | 80132-0514 | Rubber blades, vertical |
| 22 | 85500-0009 | Magnet switch for velocity control |
| | | Drive set |
| 21 | 85277-0030 | Gearmotor - TF160CO + 3,0 kW 4P B5 - assembled |